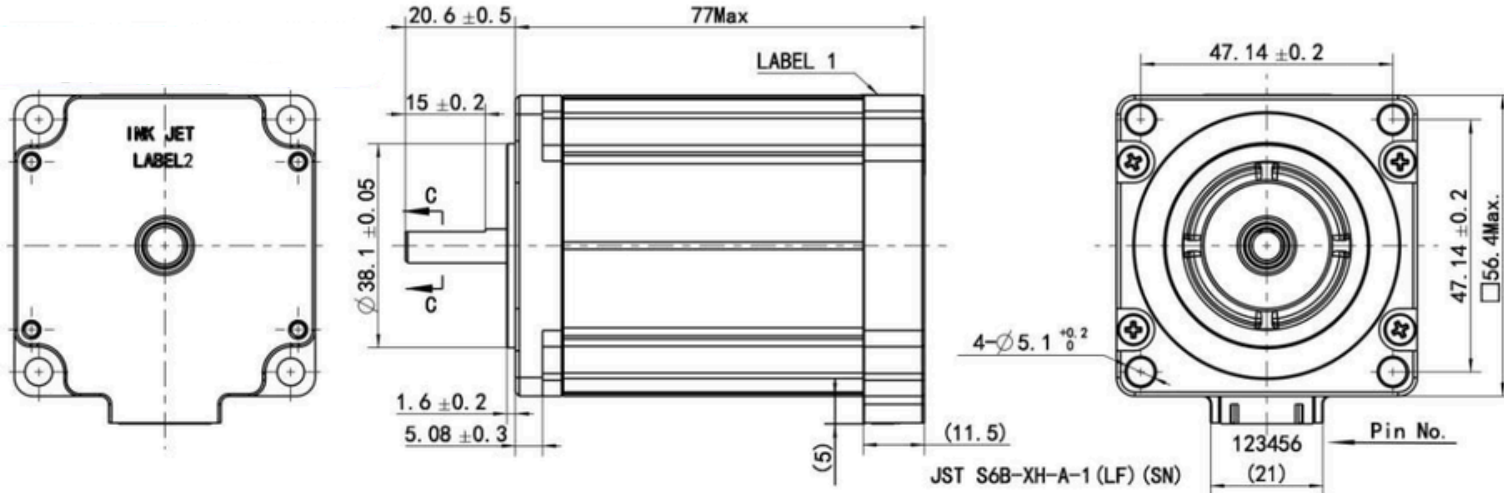
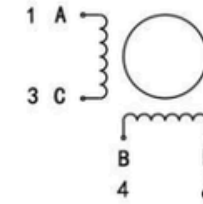


# ML23HSAP4200



## Wiring Diagram



## Exciting Sequence vs. Direction of Rotation

STEP	A	B	C	D	CCW
1	+	+	-	-	↑
2	-	+	+	-	
3	-	-	+	+	
4	+	-	-	+	

↓ CW

## Clockwise view from mounting side

### 1 Label1 Detail

**MOONS' STEPPING MOTOR**  
 Insulation: Class B, 60VDC Max.  
 2Amps Holding: 2.3Nm  
 3000RPM Max. **UL** **US**  
 UL FILE No. E465363 XXX Factory ID

### 2 Label2 Detail

TYPE ML23HSAP4200  
 XXXXXXXX YY/MM/DD  
 Work Order Date Format

## Hybrid Stepping Motor Specification

1. Number of Phase	2
2. Step Angle	1.8°
3. Rated Voltage	4.6 V DC
4. Rated Current	2 Amp
5. Holding Torque	2.3 Nm Typ. (Two phase on/rated current)
6. Phase Resistance	2.3 ohm±10% (20°C)
7. Phase Inductance	9.8 mH±20%(1kHz 1V rms)
8. Rotor Inertia	365 gcm <sup>2</sup>
9. Motor Weight	0.84 kg
10. Insulation Class	B (130°C)

Unit: mm

FIRST ANGLE METHOD

Tolerance for linear and angular dimensions without individual tolerance indications  
 GB/T 1804-m eqv ISO 2768-1 : m

Geometrical tolerance for features without individual tolerance indications  
 GB/T 1184-K eqv ISO 2768-2 : K

Approve

Standardize

Process Review

Check

Design

# PIVEXIN TECHNOLOGY

REV.	REVISION RECORD		DATE
B1			2023. 03. 27
B0	UL	Update nameplate	2017. 04. 01
A		Original revision	2013. 03. 01

UNLESS OTHERWISE SPECIFIED

NAMES

SIGNATURE

DATE

Drawing No: 4611110011252

Rev. B1

SCALE: 1:1

Sheet 1 of 1